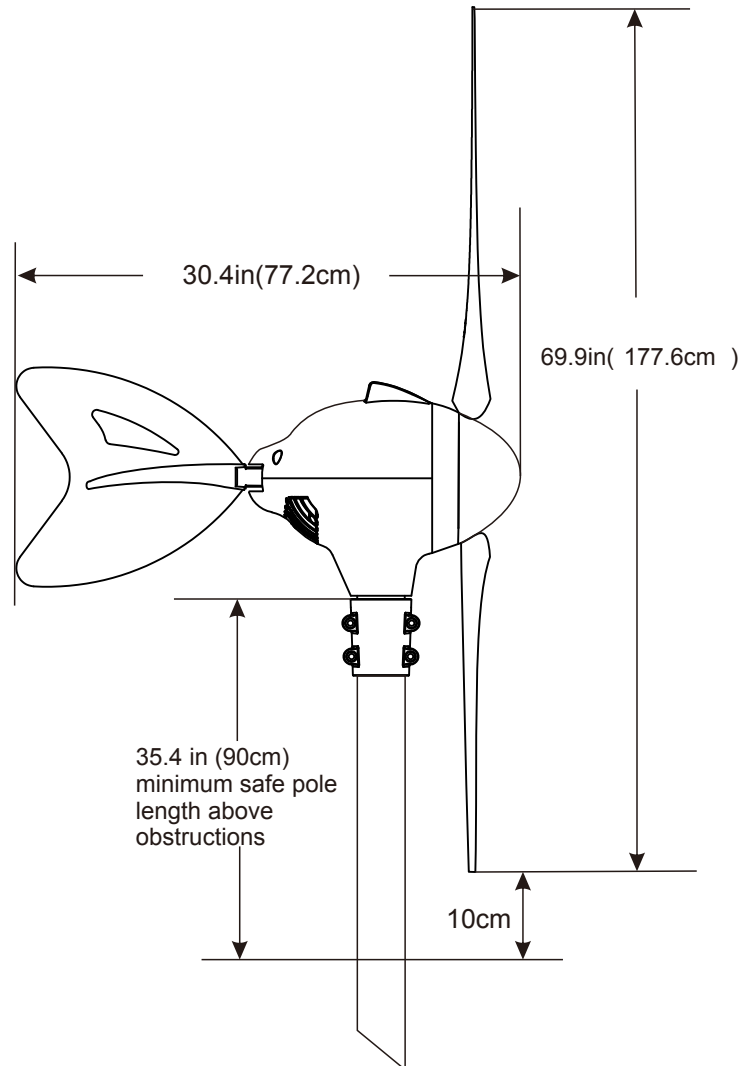
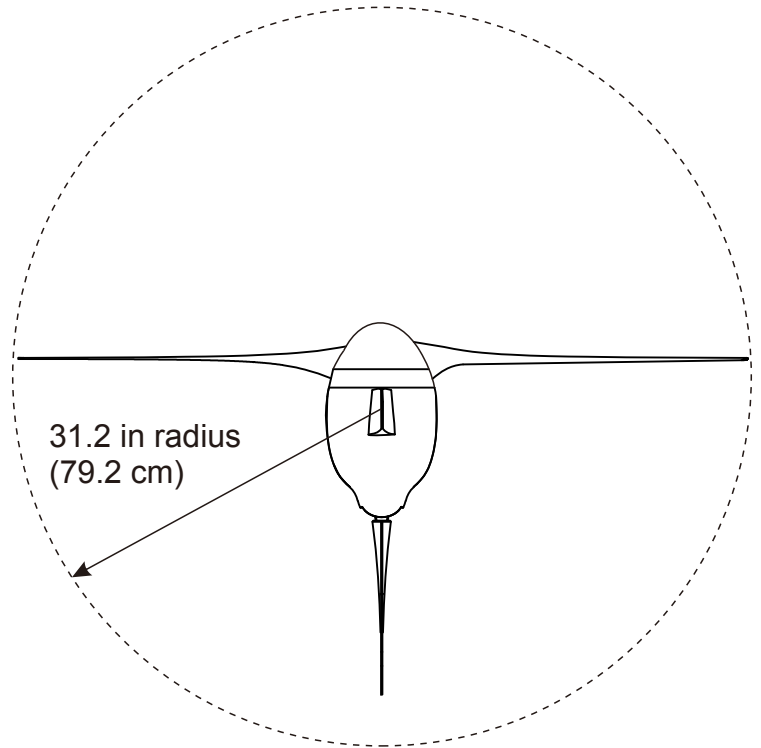


# TECHNO SUN

FSH2000

*A revolution wind turbine*

*Excellent wind turbine!*



Easy For:

Home

Telecom

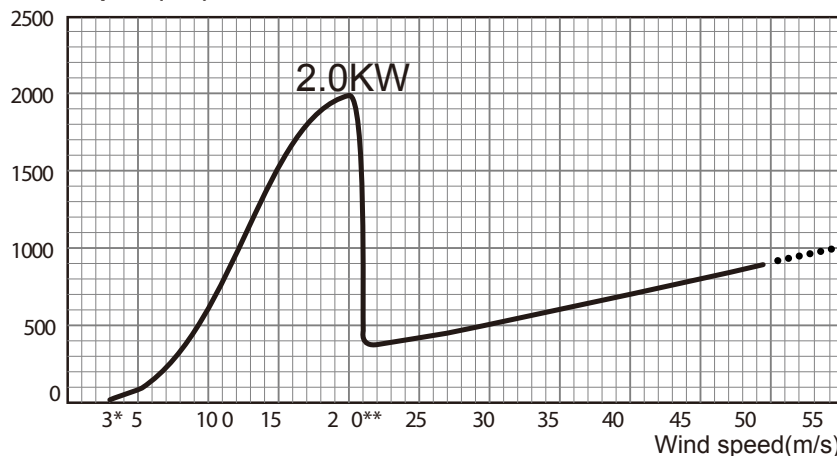
Business/Retail

Government

## Specifications

Wind Turbine Type	Horizontal axis, up-wind
UPC code	839290007075
Rotor Diameter	1776mm(69.9 ")
Weight	18kg(38lbs)
Mount Diameter	48.6mm(1-15/16 ")
Number Blades	3
Blade Material	Carbon- fiber
Blade Mass (per piece)	532g
Body Material	Aluminum diecast
Product Finish	Teflon-based paint
Generator	Synchronous-type, three phase power generator with neodymium iron boron magnets
Controller	Built-in
Yaw control	Free yaw (360 degrees)
Over Wind Control	Stall control
Start-up wind speed	3m/s(11KPH, 6.7MPH)
Cut-out wind speed	20m/s(72KPH, 45MPH)
Survival wind speed	49.2m/s(177KPH, 110MPH)
Rated Power	1KW (12.5m/s, 45KPH, 28MPH)
Rated Rotor Speed	1000rpm
Maximum Power	2KW(20m/s,72KPH, 45MPH)
Output Voltage	DC24/DC48V
Braking System	Regenerative electromagnetic braking system
Communication System	Remote monitor(Optional accessory)
Recommended System	Off-grid: deep cycle lead acid battery, 420Ah or more

Power output(W) Output power characteristics



\*Cut-in: wind speed at which the turbine begins to produce power.

\*\*Cut-out: wind speed at which the turbine stops to produce power.