

VE.Net Panel

INSTALLATION AND USER MANUAL

Index

1. Contents of the box
2. Installation and configuration instructions
3. User manual
4. VE.Net panel menu
5. Technical specifications

1. Contents of the box

- 1x VE.Net Panel
- 4x Black screw to mount the panel
- 1x Panel cutout
- 1x Installation and user manual

2. Installation and configurations instructions

1. Mount the panel
2. Connect the panel to your VE.Net network with a standard straight UTP cable. (The VE.Net Panel will also be powered from this cable)
3. If required connect the alarm relay. Refer to figure 1 for the locations of the connectors.
4. Power the panel by pressing "Enter" for two seconds. The panel will now search for present devices on the VE.Net network.
5. User and install mode: To prevent accidental changes in the configuration of the connected devices, the panel can be set to a 'user-only-mode'. In this mode the panel will hide all the setup menus from the user. Refer to chapter 4. 'VE.Net Panel Menu (Panel Setup)' for instructions on changing the User and install mode.

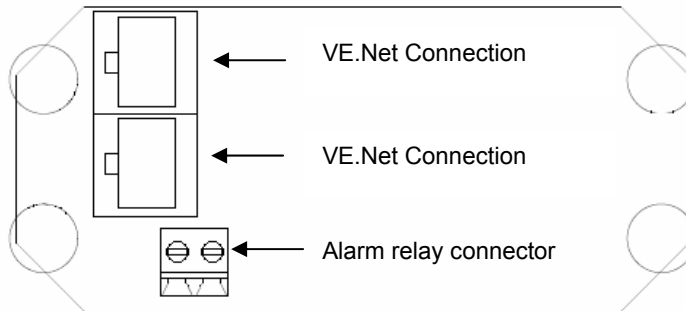


Figure 1. VE.Net Panel Connections

3. User Manual

The VE.Net Panel



Press cancel to leave a device, menu or value.

Press 'Enter' to enter a device, menu or to change a value.

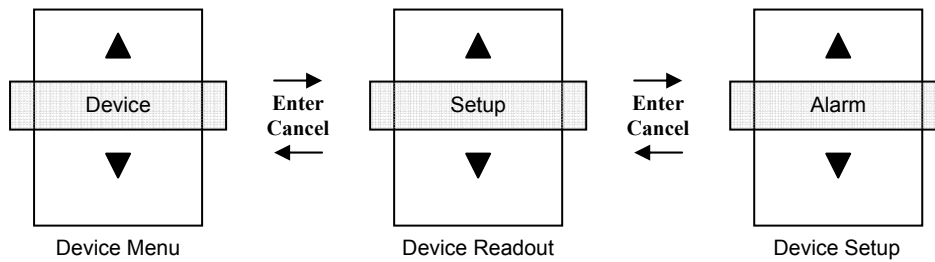
Press the up and down switch to change a value or navigate through a menu.

Turn the panel on and off

- To turn the panel on, press and hold "Enter" for two seconds
- To turn the panel off, press and hold "Cancel" for two seconds



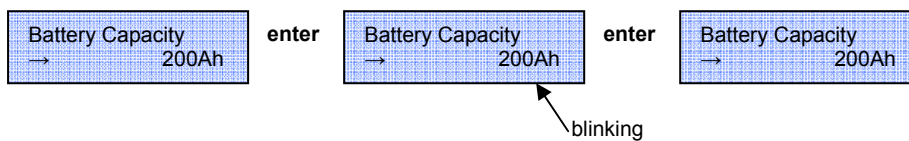
Navigating through the menu's



How to change a value with a VE.Net panel

When a value is changeable you will see a little arrow in the lower left corner of the display.

If a value in the setup menu must be changed press enter. And the value will start to blink. If the value is blinking press up and down to change it. Press enter again and the new value will be stored. If the cancel button is pressed before the new value is stored it will return to its original value.



4. VE.Net Panel Menu (Panel Setup)

Panel Setup		Default Value	Range	Step size
Contrast	Contrast of the display		0-100%	5%
Backlight	Intensity of the backlight		0-100%	5%
Backlight off	Time before the backlight turns off automatically	10s	10s, 30s, 1 min, Never	
Audible alarm	Enables and disables the buzzer	Yes	No-Yes	
Use relay in alm	Close the contactor which is on the back of the panel when there is an alarm	No	No-Yes	
Restart panel	Restart the panel and look for new devices on the network	No	No-Yes	
Access level	Select user or install operating mode	user and install	user, user and install	
Software version	Version of the software in the panel			

This table describes the setup parameters

5. Technical specifications

VE.Net	
Maximum number of nodes	128
Maximum cable length	100 meter
Network cable	Standard UTP with RJ-45 jacks
Network type	Mixed (star and ring networks possible)
VE.Net Panel	
VPN	
Power supply voltage range	9 – 35 V DC
Current draw – standby	3 mA at 12 volt
Current draw – backlight off	14 mA at 12 volt
Current draw – backlight on	26 mA at 12 volt
Operating temp. range	-20 – +50°C (0 - 120°F)
Potential free contact	3A / 30 V DC / 250 V AC / (Normally Open)
ENCLOSURE	
Measurements front panel (w x h)	12 x 6,5 cm (Standard PROS3 Panel)
Measurements body (w x h)	10 x 4,5 cm
Weight	0,1 Kg

Contact:

Victron Energy
De Paal 35
1351JG Almere
The Netherlands

T: +31 (0)36 535 9700
F: +31 (0)36 531 1666

info@victronenergy.com
www.victronenergy.com

