



OP<sub>z</sub>S STANDBY batteries

 **SUNLIGHT**  
creating energy



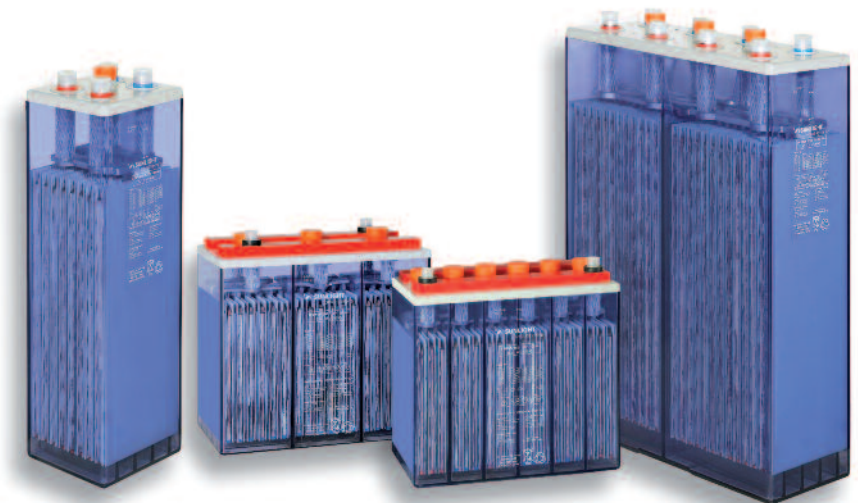
[ Energy is what we do ]

# OPzS batteries introduction

OPzS batteries are robust energy storage solutions, with a proven technology that has been used for decades in applications that require a safe and reliable battery with long service life. SUNLIGHT OPzS batteries are distinguished by their high tolerance to cycling and long life in standby parallel mode. They are designed and manufactured according to DIN Standards. They cover a wide field of applications some of which are telecommunication centers, control and monitoring systems in power plants and distribution stations, railway stations, signaling, control and regulating systems, data processing systems, airports, emergency lighting, alarm systems, energy supply and several others.

## Advantages

- Compliant to DIN 40736 and DIN 40737.
- The optimized plate design results in increased capacities over DIN standards.
- Minimum maintenance due to reduced antimony content and large electrolyte reserve volume.
- Ideal for cycling applications due to the tubular plate technique.
- Long designed life time: more than 15 years in floating applications.
- Recommended temperature range of operation (-10° C up to +50° C, preferred value 20° C).
- Available in 2V cells, 6V and 12V monoblocks.
- Delivery in dry charged or wet charged conditions.
- Long storage time for cells delivered in dry charged condition.
- Suitable for all standard types of installation.



# OPzS batteries cell construction



## Positive Plates

SUNLIGHT OPzS cells are manufactured with tubular positive plates. The tubular plate design is well proven and known for its high reliability and long service life in float charging operation. The plate composition of a special low-Antimony ( $\leq 1.65\%$  Sb) and Selenium alloy, results in a fine-grain structure and low corrosion rate, a basic property for obtaining a long service life and high reliability of the cell.

## Negative Plates

SUNLIGHT negative plates are manufactured with grid design. In this case a lead alloy with a 5% antimony content is used. In order for the plates to maintain the porosity of the active mass, certain special ingredients are added to the paste, allowing the plates to retain their "spongy" consistency.

## Separators

The separators are manufactured from microporous PE, a material of high porosity, low electrical resistance and high acid resistance. The separators are permeable and allow the migration of ions during the charging and discharging process of the battery. Thus the solid particle migration between the plates is prevented and any short circuit avoided. The design of the separators also allows the presence of more acid in the surrounding area of the plates.

## Connectors

Plastic coated copper bars are used for intercell and inter-row connection of the battery cells.

## Vent Plugs

The Vent Plugs are flame retardant made of ceramic material, improving the safety of the cell.

## The Electrolyte

The Electrolyte Specific Gravity of a fully charged cell is  $1.240 \pm 0.010$  kg/l at  $20^\circ\text{C}$  at maximum and  $1.260$  at  $20^\circ\text{C}$  at minimum level. In different temperatures, outside the range of  $+10^\circ\text{C}$  to  $+30^\circ\text{C}$  the temperature compensation which should be introduced is  $-0.0007$  kg/l per each  $^\circ\text{C}$  variance.

The Electrolyte Freezing Point of:

- A fully charged cell is  $-45^\circ\text{C}$  (reference acid specific gravity  $1.240$  kg/l).
- A fully discharged cell is  $-5^\circ\text{C}$  to  $-10^\circ\text{C}$  (reference acid specific gravity  $1.100$  kg/l).

## Cell Containers and Covers

Styrene Acrylonitrile (SAN) is used on the containers of SUNLIGHT OPzS cells. SAN is transparent allowing the user an easy reading of the electrolyte level and visual inspection of the cell. The covers of the cells are made of Acrylonitrile-butadiene-styrene copolymer (ABS).

## Poles

Specially designed poles, effectively prevent acid leakage and pillar corrosion thus increasing the lifetime of the battery.

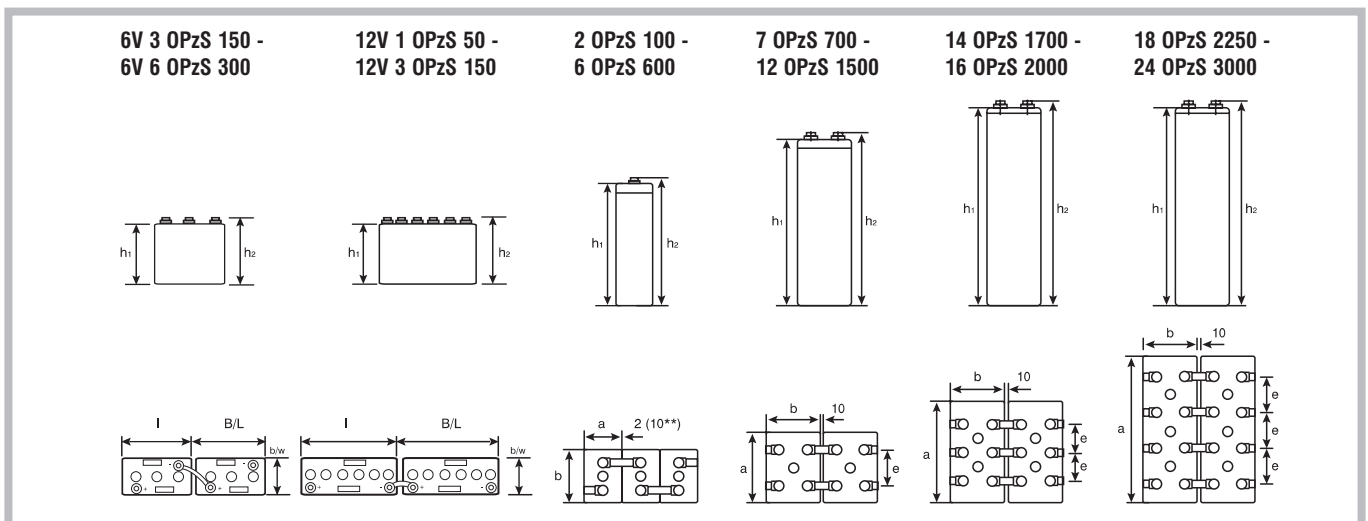
## Applications

- Telecommunications.
- Control and monitoring systems in power plants and distribution stations.
- Railway stations.
- Signaling, Control and Regulating systems.
- Data processing systems.
- UPS.
- Airports.

# Technical Characteristics

Type Designation	Positive plate		Capacity (Ah) C <sub>10</sub> V/cell 1,80	Cell Dimensions (mm)					Weight (kg)		Volume of separate electrolyte (lt)
	No	Size (Ah)		a	b	h1	h2	e	with electrolyte	without electrolyte	
<b>Monoblocks</b>	No	Size (Ah)		a	b	h1	h2	e	with electrolyte	without electrolyte	
6V 3 OPzS 150	3 x 3	50	161	233	224	345	378	-	41.2	29.8	9.2
6V 4 OPzS 200	3 x 4	50	206	272	205	350	363	-	47.1	35.2	9.6
6V 5 OPzS 250	3 x 5	50	258	380	205	350	363	-	60.9	43.5	14.0
6V 6 OPzS 300	3 x 6	50	304	380	205	350	363	-	67.1	50.5	13.4
12V 1 OPzS 50	6 x 1	50	57	272	205	350	363	-	37.7	24.4	10.7
12V 2 OPzS 100	6 x 2	50	103	272	205	350	363	-	49.4	37.7	9.4
12V 3 OPzS 150	6 x 3	50	154	380	205	350	363	-	69.8	53.0	13.5
<b>2V Cells</b>	No	Size (Ah)		a	b	h1	h2	e	with electrolyte	without electrolyte	
2 OPzS 100*	2	50	115	103	206	355	380	-	13.8	8.4	4.4
3 OPzS 150*	3	50	171	103	206	355	380	-	15.7	10.7	4.0
4 OPzS 200	4	50	215	103	206	355	380	-	17.5	13.0	3.6
5 OPzS 250	5	50	270	124	206	355	380	-	21.4	15.4	4.8
6 OPzS 300	6	50	323	145	206	355	380	-	25.7	18.5	5.8
5 OPzS 350	5	70	387	124	206	471	496	-	28.4	20.7	6.2
6 OPzS 420	6	70	465	145	206	471	496	-	33.5	24.3	7.4
7 OPzS 490	7	70	542	166	206	471	496	-	38.6	27.9	8.6
5 OPzS 500*	5	100	589	145	206	646	671	-	42.0	28.8	10.6
6 OPzS 600	6	100	656	145	206	646	671	-	45.8	33.0	10.3
7 OPzS 700*	7	100	811	191	210	646	671	80	60.0	42.7	14.0
8 OPzS 800	8	100	875	191	210	646	671	80	63.8	46.8	13.7
9 OPzS 900*	9	100	1031	233	210	646	671	110	73.0	53.0	16.1
10 OPzS 1000	10	100	1095	233	210	646	671	110	78.2	57.3	16.9
12 OPzS 1200	12	100	1312	275	210	646	671	140	91.3	66.2	20.2
11 OPzS 1400*	11	125	1581	275	210	796	821	140	110.5	76.0	27.8
12 OPzS 1500	12	125	1669	275	210	796	821	140	115.1	81.1	27.4
14 OPzS 1700*	14	125	2021	397	212	772	797	2 x 110	143.3	96.3	37.9
15 OPzS 1875	15	125	2136	397	212	772	797	2 x 110	148.9	102.6	37.3
16 OPzS 2000	16	125	2227	397	212	772	797	2 x 110	154.5	108.8	36.9
18 OPzS 2250	18	125	2574	487	212	772	797	3 x 110	184.0	125.0	47.8
20 OPzS 2500	20	125	2791	487	212	772	797	3 x 110	201.0	135.0	53.2
24 OPzS 3000	24	125	3343	576	212	772	797	3 x 140	230.0	158.0	58.1

\* Over DIN standard product range



# Discharge Table in Amperes

End voltage 1.90 V/per cell

	<b>Monoblocks</b>	<b>30 min</b>	<b>45 min</b>	<b>1 h</b>	<b>1,5 h</b>	<b>2 h</b>	<b>3 h</b>	<b>5 h</b>	<b>8 h</b>	<b>10 h</b>	<b>20 h</b>
	6V 3 OPzS 150	61.6	53.9	49.0	41.3	36.4	29.7	21.8	15.8	13.7	7.7
	6V 4 OPzS 200	79.6	69.6	63.3	53.3	46.9	38.2	27.9	20.1	17.6	9.8
	6V 5 OPzS 250	96.4	85.0	77.7	65.8	58.1	47.4	34.8	25.3	22.1	12.4
	6V 6 OPzS 300	115.6	101.4	92.4	78.1	68.9	56.2	41.3	29.7	26.1	14.6
	12V 1 OPzS 50	21.5	18.8	17.1	14.5	12.7	10.4	7.6	5.6	4.8	2.8
	12V 2 OPzS 100	41.8	36.2	32.7	27.3	24.0	19.4	14.1	10.2	8.8	4.9
	12V 3 OPzS 150	60.7	52.9	48.0	40.3	35.4	28.8	21.0	15.2	13.2	7.4
	<b>2V cells</b>	<b>30 min</b>	<b>45 min</b>	<b>1 h</b>	<b>1,5 h</b>	<b>2 h</b>	<b>3 h</b>	<b>5 h</b>	<b>8 h</b>	<b>10 h</b>	<b>20 h</b>
	2V 2 OPzS 100	42.1	37.1	33.9	28.8	25.4	20.8	15.3	11.3	9.7	5.6
	2V 3 OPzS 150	62.7	55.2	50.5	42.9	37.9	31.1	22.9	16.8	14.4	8.3
	2V 4 OPzS 200	80.5	70.8	64.6	54.7	48.3	39.4	29.0	21.1	18.3	10.3
	2V 5 OPzS 250	100.3	88.4	80.9	68.4	60.5	49.3	36.3	26.5	23.0	13.0
	2V 6 OPzS 300	121.0	106.3	96.9	82.1	72.5	59.2	43.6	31.7	27.5	15.6
	2V 5 OPzS 350	130.4	117.5	109.1	95.8	83.9	68.8	51.0	37.2	31.6	17.6
	2V 6 OPzS 420	157.0	141.1	130.8	114.6	100.6	82.4	61.2	44.7	37.9	21.1
	2V 7 OPzS 490	182.7	164.4	152.5	134.2	117.4	96.2	71.4	52.0	44.2	24.7
	2V 5 OPzS 500	181.8	165.6	155.0	138.1	121.9	101.1	75.6	56.3	47.5	27.1
	2V 6 OPzS 600	190.2	177.0	168.1	149.7	134.5	111.6	84.6	61.9	53.5	30.1
	2V 7 OPzS 700	222.6	207.4	197.3	175.7	157.6	132.4	104.2	76.6	66.1	37.3
	2V 8 OPzS 800	254.0	236.3	224.6	200.0	179.0	149.0	112.4	82.6	71.3	40.2
	2V 9 OPzS 900	286.7	266.5	253.0	225.3	202.0	169.8	132.7	96.9	83.8	47.2
	2V 10 OPzS 1000	318.0	295.4	280.4	249.7	224.5	185.6	141.0	103.5	89.2	50.3
	2V 12 OPzS 1200	380.0	353.7	336.3	299.6	268.5	222.8	168.4	123.2	106.5	60.2
	2V 11 OPzS 1400	406.9	379.1	360.5	324.1	293.9	250.8	192.5	144.0	122.7	70.2
	2V 12 OPzS 1500	441.5	411.5	391.5	352.3	319.3	269.7	203.2	152.7	129.4	74.2
	2V 14 OPzS 1700	515.6	480.3	456.7	411.4	372.6	318.6	245.7	183.8	156.7	89.8
	2V 15 OPzS 1875	553.0	515.2	489.9	440.7	399.7	339.8	260.2	194.1	165.9	94.9
	2V 16 OPzS 2000	590.7	550.2	523.2	470.6	426.5	359.8	271.4	203.2	173.0	99.2
	2V 18 OPzS 2250	662.3	617.8	588.1	530.6	481.1	410.9	315.8	236.6	201.0	114.8
	2V 20 OPzS 2500	737.5	687.1	653.5	589.1	533.2	449.9	339.9	254.8	217.0	124.5
	2V 24 OPzS 3000	883.1	823.2	783.2	704.9	639.1	539.8	407.6	304.8	260.1	149.0

Design and/or specifications are subject to change without prior notice. For clarifications and updated information, please contact your local SUNLIGHT sales representative.

# Discharge Table in Amperes

End voltage 1.87 V/per cell

	<b>Monoblocks</b>	<b>30 min</b>	<b>45 min</b>	<b>1 h</b>	<b>1,5 h</b>	<b>2 h</b>	<b>3 h</b>	<b>5 h</b>	<b>8 h</b>	<b>10 h</b>	<b>20 h</b>
	6V 3 OPzS 150	73.2	62.6	56.1	46.9	41.3	32.8	23.6	17.1	14.8	8.4
	6V 4 OPzS 200	94.6	81.0	72.5	60.6	53.3	42.3	30.3	22.0	19.0	10.7
	6V 5 OPzS 250	115.5	99.3	89.2	74.8	66.0	52.5	38.0	27.5	23.7	13.5
	6V 6 OPzS 300	137.4	117.9	105.7	88.8	78.3	62.3	44.8	32.4	28.1	15.9
	12V 1 OPzS 50	25.6	21.8	19.6	16.4	14.4	11.5	8.3	6.0	5.3	3.0
	12V 2 OPzS 100	49.5	41.9	37.3	30.9	27.1	21.4	15.3	11.0	9.5	5.3
	12V 3 OPzS 150	72.0	61.4	54.8	45.7	40.1	31.8	22.8	16.5	14.3	8.0
	<b>2V cells</b>	<b>30 min</b>	<b>45 min</b>	<b>1 h</b>	<b>1,5 h</b>	<b>2 h</b>	<b>3 h</b>	<b>5 h</b>	<b>8 h</b>	<b>10 h</b>	<b>20 h</b>
<b>Type</b>	2V 2 OPzS 100	50.2	43.2	38.9	32.7	28.9	23.1	16.7	12.1	10.6	6.0
	2V 3 OPzS 150	74.8	64.4	57.9	48.8	43.1	34.4	24.9	18.1	15.8	8.9
	2V 4 OPzS 200	96.0	82.5	74.2	62.2	54.9	43.7	31.5	22.9	19.7	11.2
	2V 5 OPzS 250	120.1	103.3	92.9	77.9	68.7	54.7	39.5	28.6	24.7	14.1
	2V 6 OPzS 300	143.9	123.6	110.9	93.4	82.4	65.6	47.3	34.3	29.7	16.9
	2V 5 OPzS 350	155.4	138.7	128.0	109.8	96.8	77.8	56.8	40.9	34.5	19.3
	2V 6 OPzS 420	186.1	165.8	152.7	131.5	116.4	93.3	68.2	49.1	41.4	23.2
	2V 7 OPzS 490	216.7	193.4	178.3	153.2	135.2	108.5	79.5	57.3	48.3	27.1
	2V 5 OPzS 500	216.7	195.7	182.0	158.2	140.6	114.1	84.8	61.6	52.1	29.5
	2V 6 OPzS 600	231.2	211.8	199.0	174.5	155.4	127.5	95.1	68.1	58.3	33.0
	2V 7 OPzS 700	270.6	247.5	232.3	203.7	181.5	152.2	117.2	84.0	72.0	40.7
	2V 8 OPzS 800	307.9	282.3	265.4	232.9	206.8	170.8	126.3	90.7	77.8	43.9
	2V 9 OPzS 900	347.7	318.3	298.9	262.1	233.9	194.6	148.6	105.8	91.4	51.5
	2V 10 OPzS 1000	384.9	352.5	331.2	290.5	259.3	213.4	158.0	113.1	97.2	54.9
	2V 12 OPzS 1200	460.7	422.3	397.0	348.3	310.3	255.5	190.2	135.7	116.7	65.8
	2V 11 OPzS 1400	222.9	327.0	429.2	379.9	339.1	285.0	217.4	160.5	134.9	77.5
	2V 12 OPzS 1500	535.1	493.5	465.9	412.9	368.3	306.8	230.0	170.1	142.7	81.9
	2V 14 OPzS 1700	624.1	575.8	543.9	481.0	430.4	362.6	278.4	205.2	172.8	99.4
	2V 15 OPzS 1875	669.6	617.7	583.3	516.2	461.7	387.0	294.0	217.6	183.1	104.7
	2V 16 OPzS 2000	715.4	659.5	622.6	551.2	492.5	409.9	307.2	226.7	191.3	109.7
	2V 18 OPzS 2250	801.9	740.6	699.9	620.7	554.4	466.3	357.4	263.3	220.8	125.7
	2V 20 OPzS 2500	893.0	823.6	777.7	688.7	615.3	512.1	384.8	284.7	239.3	137.1
	2V 24 OPzS 3000	1070.2	987.8	933.1	826.2	738.0	614.1	461.3	340.7	286.6	163.8

Design and/or specifications are subject to change without prior notice. For clarifications and updated information, please contact your local SUNLIGHT sales representative.

# Discharge Table in Amperes

End voltage 1.85 V/per cell

	<b>Monoblocks</b>	<b>30 min</b>	<b>45 min</b>	<b>1 h</b>	<b>1,5 h</b>	<b>2 h</b>	<b>3 h</b>	<b>5 h</b>	<b>8 h</b>	<b>10 h</b>	<b>20 h</b>
	6V 3 OPzS 150	81.9	68.9	60.9	50.1	43.4	34.2	24.7	17.7	15.3	8.7
	6V 4 OPzS 200	106.1	89.1	78.8	64.8	56.0	44.1	31.8	22.7	19.4	11.1
	6V 5 OPzS 250	129.6	109.4	97.0	80.1	69.5	54.9	39.7	28.5	24.5	13.9
	6V 6 OPzS 300	154.2	130.0	115.2	94.9	82.4	65.0	46.9	33.7	28.7	16.4
	12V 1 OPzS 50	28.6	24.0	21.2	17.5	15.1	12.0	8.7	6.2	5.4	3.1
	12V 2 OPzS 100	55.2	46.0	40.4	33.0	28.4	22.3	16.0	11.4	9.7	5.5
	12V 3 OPzS 150	80.6	67.5	59.5	48.8	42.1	33.1	23.9	17.1	14.6	8.3
	<b>2V cells</b>	<b>30 min</b>	<b>45 min</b>	<b>1 h</b>	<b>1,5 h</b>	<b>2 h</b>	<b>3 h</b>	<b>5 h</b>	<b>8 h</b>	<b>10 h</b>	<b>20 h</b>
	2V 2 OPzS 100	56.3	47.6	42.3	35.0	30.4	24.1	17.5	12.5	10.9	6.2
	2V 3 OPzS 150	83.9	71.0	63.0	52.2	45.3	35.9	26.1	18.6	16.3	9.2
	2V 4 OPzS 200	107.7	91.0	80.7	66.7	57.8	45.6	33.0	23.6	20.4	11.6
	2V 5 OPzS 250	134.8	113.8	101.0	83.4	72.3	57.1	41.4	29.6	25.6	14.5
	2V 6 OPzS 300	161.4	136.3	120.9	99.8	86.7	68.5	49.6	35.5	30.7	17.4
	2V 5 OPzS 350	170.4	150.7	138.0	117.8	102.9	82.9	59.9	42.9	36.1	20.1
	2V 6 OPzS 420	204.1	180.7	165.7	141.5	123.5	98.8	72.0	51.4	43.3	24.2
	2V 7 OPzS 490	237.7	210.7	193.3	165.2	144.2	115.5	83.9	60.0	50.5	28.3
	2V 5 OPzS 500	238.3	213.7	197.8	171.0	150.5	121.8	89.5	64.4	55.0	30.8
	2V 6 OPzS 600	256.2	234.2	219.7	190.4	166.5	135.6	99.9	72.4	61.4	34.3
	2V 7 OPzS 700	299.7	273.9	256.9	222.5	194.7	161.4	123.3	89.3	75.8	42.4
	2V 8 OPzS 800	340.9	312.0	293.0	253.7	221.9	181.0	133.5	96.5	81.8	45.8
	2V 9 OPzS 900	384.8	352.0	330.5	285.9	250.0	205.9	155.9	112.7	95.5	53.5
	2V 10 OPzS 1000	426.9	390.0	365.8	317.2	277.5	225.7	165.4	120.1	101.3	57.1
	2V 12 OPzS 1200	510.6	467.0	438.4	380.0	332.4	271.7	198.7	143.7	121.9	68.3
	2V 11 OPzS 1400	546.0	502.6	473.8	417.4	372.5	307.9	230.7	169.7	143.1	80.8
	2V 12 OPzS 1500	593.0	545.7	514.4	453.3	404.7	332.6	244.2	179.4	150.8	85.4
	2V 14 OPzS 1700	691.0	636.4	600.2	529.2	472.6	392.3	294.7	216.4	183.1	103.6
	2V 15 OPzS 1875	741.6	682.7	643.7	567.5	506.9	418.7	311.4	228.9	193.4	108.9
	2V 16 OPzS 2000	792.5	729.5	687.9	605.4	540.6	443.6	325.6	239.1	201.5	114.0
	2V 18 OPzS 2250	888.0	818.9	773.2	682.1	608.9	504.9	378.2	277.2	233.6	130.7
	2V 20 OPzS 2500	989.0	910.7	858.9	756.8	676.3	554.8	408.3	300.1	252.9	142.4
	2V 24 OPzS 3000	1186.1	1092.2	1030.1	908.1	809.8	664.7	488.9	359.3	303.0	171.1

Design and/or specifications are subject to change without prior notice. For clarifications and updated information, please contact your local SUNLIGHT sales representative.



# Discharge Table in Amperes

End voltage 1.83 V/per cell

	<b>Monoblocks</b>	<b>30 min</b>	<b>45 min</b>	<b>1 h</b>	<b>1,5 h</b>	<b>2 h</b>	<b>3 h</b>	<b>5 h</b>	<b>8 h</b>	<b>10 h</b>	<b>20 h</b>
	6V 3 OPzS 150	89.9	75.1	66.1	53.2	45.6	35.7	25.5	18.2	15.7	8.9
	6V 4 OPzS 200	116.5	97.3	85.6	68.8	58.9	46.0	32.8	23.4	20.0	11.4
	6V 5 OPzS 250	142.7	119.6	105.5	85.4	73.1	57.3	41.0	29.4	25.1	14.2
	6V 6 OPzS 300	170.0	142.3	125.4	101.5	87.1	67.9	48.4	34.7	29.6	16.8
	12V 1 OPzS 50	31.3	26.1	23.0	18.5	15.9	12.5	8.9	6.4	5.6	3.1
	12V 2 OPzS 100	60.5	50.1	43.8	35.0	29.8	23.2	16.4	11.7	10.0	5.7
	12V 3 OPzS 150	88.4	73.5	64.5	51.8	44.2	34.5	24.6	17.6	15.0	8.5
	<b>22V cells</b>	<b>30 min</b>	<b>45 min</b>	<b>1 h</b>	<b>1,5 h</b>	<b>2 h</b>	<b>3 h</b>	<b>5 h</b>	<b>8 h</b>	<b>10 h</b>	<b>20 h</b>
<b>Type</b>	2V 2 OPzS 100	61.9	52.0	45.9	37.2	32.0	25.2	18.1	12.8	11.2	6.3
	2V 3 OPzS 150	92.2	77.5	68.5	55.5	47.7	37.6	26.9	19.1	16.7	9.4
	2V 4 OPzS 200	118.4	99.4	87.7	70.9	60.8	47.7	34.1	24.3	21.0	11.9
	2V 5 OPzS 250	148.4	124.4	109.8	88.9	76.2	59.7	42.6	30.5	26.2	14.8
	2V 6 OPzS 300	178.0	149.2	131.6	106.8	91.7	71.6	51.1	36.5	31.5	17.8
	2V 5 OPzS 350	185.4	162.5	148.0	124.0	108.0	87.0	62.4	44.3	37.3	20.8
	2V 6 OPzS 420	222.1	194.9	177.7	148.7	129.7	104.7	74.8	53.1	44.8	25.0
	2V 7 OPzS 490	258.7	227.3	207.3	173.4	151.4	121.5	87.3	62.0	52.3	29.2
	2V 5 OPzS 500	259.8	231.0	212.6	179.9	158.3	128.5	93.3	66.5	56.9	31.7
	2V 6 OPzS 600	282.0	254.6	236.7	205.2	179.3	144.5	104.1	75.1	63.3	35.4
	2V 7 OPzS 700	329.5	297.7	277.0	240.3	209.5	171.4	129.7	92.7	78.1	43.7
	2V 8 OPzS 800	375.6	338.9	315.1	273.5	238.7	192.0	138.7	100.2	84.3	47.1
	2V 9 OPzS 900	423.6	382.4	355.6	308.6	269.7	218.8	163.0	117.7	99.1	55.3
	2V 10 OPzS 1000	469.6	424.3	394.7	342.0	299.1	239.7	173.5	125.1	105.4	59.0
	2V 12 OPzS 1200	562.2	507.8	472.4	409.7	358.0	287.8	207.9	149.8	126.1	70.7
	2V 11 OPzS 1400	595.4	544.5	511.1	449.4	400.3	329.7	245.5	178.6	150.2	85.3
	2V 12 OPzS 1500	646.2	591.5	555.4	488.2	435.3	355.4	260.1	188.4	158.0	90.2
	2V 14 OPzS 1700	754.1	689.7	647.3	570.0	507.3	419.1	314.4	228.3	191.2	109.4
	2V 15 OPzS 1875	808.9	740.1	694.9	611.4	544.6	447.5	332.1	240.8	202.6	114.8
	2V 16 OPzS 2000	863.9	790.4	742.1	652.2	581.2	474.4	347.3	252.0	211.7	119.8
	2V 18 OPzS 2250	967.2	886.0	832.6	733.6	654.4	539.6	401.9	291.1	243.5	137.6
	2V 20 OPzS 2500	1078.5	987.2	927.2	815.6	726.9	593.6	434.2	315.1	265.1	150.2
	2V 24 OPzS 3000	1293.6	1183.1	1110.5	977.0	870.4	711.4	520.7	378.2	317.4	179.9

Design and/or specifications are subject to change without prior notice. For clarifications and updated information, please contact your local SUNLIGHT sales representative.

# Discharge Table in Amperes

End voltage 1.80 V/per cell

	<b>Monoblocks</b>	<b>30 min</b>	<b>45 min</b>	<b>1 h</b>	<b>1,5 h</b>	<b>2 h</b>	<b>3 h</b>	<b>5 h</b>	<b>8 h</b>	<b>10 h</b>	<b>20 h</b>
	6V 3 OPzS 150	102.1	83.6	72.5	57.3	48.3	37.5	26.5	18.8	16.1	9.1
	6V 4 OPzS 200	132.4	108.4	94.0	74.2	62.4	48.4	34.0	24.2	20.6	11.7
	6V 5 OPzS 250	162.1	133.2	115.9	92.1	77.7	60.5	42.6	30.4	25.8	14.6
	6V 6 OPzS 300	193.2	158.9	138.4	109.1	92.1	71.6	50.4	35.9	30.4	17.2
	12V 1 OPzS 50	35.5	29.0	25.2	19.9	16.8	13.1	9.3	6.6	5.7	3.2
	12V 2 OPzS 100	68.5	55.6	47.9	37.5	31.5	24.3	17.0	12.1	10.3	5.8
	12V 3 OPzS 150	100.2	81.7	70.7	55.7	46.8	36.3	25.5	18.2	15.4	8.8
	<b>2V cells</b>	<b>30 min</b>	<b>45 min</b>	<b>1 h</b>	<b>1,5 h</b>	<b>2 h</b>	<b>3 h</b>	<b>5 h</b>	<b>8 h</b>	<b>10 h</b>	<b>20 h</b>
	2V 2 OPzS 100	70.4	58.0	50.5	40.2	34.0	26.5	18.8	13.3	11.5	6.5
	2V 3 OPzS 150	105.0	86.5	75.4	60.0	50.7	39.6	28.1	19.8	17.1	9.7
	2V 4 OPzS 200	134.9	111.0	96.6	76.6	64.7	50.3	35.5	25.1	21.5	12.2
	2V 5 OPzS 250	168.8	138.7	120.7	95.9	80.9	62.9	44.4	31.5	27.0	15.2
	2V 6 OPzS 300	202.3	166.7	145.3	114.8	97.0	75.4	53.3	37.7	32.3	18.2
	2V 5 OPzS 350	208.1	179.2	161.1	134.0	115.1	91.2	64.7	45.8	38.7	21.6
	2V 6 OPzS 420	249.7	214.7	192.8	160.8	137.9	109.9	77.5	55.0	46.5	25.9
	2V 7 OPzS 490	291.2	250.7	225.4	187.5	160.6	127.7	90.5	64.2	54.2	30.3
	2V 5 OPzS 500	293.6	255.7	231.9	195.1	168.7	135.5	97.4	68.9	58.9	32.9
	2V 6 OPzS 600	320.5	285.2	262.5	224.1	193.4	154.5	109.1	77.5	65.6	36.6
	2V 7 OPzS 700	375.0	333.4	306.8	262.3	226.5	183.4	134.6	95.7	81.1	45.1
	2V 8 OPzS 800	427.0	380.0	349.8	298.4	257.7	206.0	145.8	103.3	87.5	48.7
	2V 9 OPzS 900	481.9	428.5	394.3	336.6	290.8	234.8	171.1	121.8	103.1	57.1
	2V 10 OPzS 1000	533.9	475.1	437.4	373.9	322.3	257.6	182.6	129.2	109.5	61.0
	2V 12 OPzS 1200	639.1	569.0	523.9	447.5	386.2	308.7	218.1	154.9	131.2	73.1
	2V 11 OPzS 1400	676.8	611.4	568.8	492.5	435.5	354.9	260.7	187.5	158.1	89.6
	2V 12 OPzS 1500	735.2	664.2	618.0	535.2	473.4	382.5	276.2	198.3	166.9	94.8
	2V 14 OPzS 1700	856.9	774.4	720.7	624.0	552.3	451.2	333.6	239.2	202.1	114.2
	2V 15 OPzS 1875	919.7	831.1	773.4	669.5	592.7	481.7	352.3	252.8	213.6	121.5
	2V 16 OPzS 2000	982.7	887.5	825.6	714.3	632.3	510.5	368.5	264.8	222.7	126.5
	2V 18 OPzS 2250	1099.9	995.0	926.6	803.9	710.8	580.1	426.7	305.9	257.4	144.5
	2V 20 OPzS 2500	1227.0	1108.6	1031.6	893.7	790.2	639.0	462.4	331.9	279.1	158.0
	2V 24 OPzS 3000	1469.9	1328.6	1236.7	1071.1	947.6	765.8	554.0	398.0	334.3	189.6

Design and/or specifications are subject to change without prior notice. For clarifications and updated information, please contact your local SUNLIGHT sales representative.

# Discharge Table in Amperes

End voltage 1.75 V/per cell

	<b>Monoblocks</b>	<b>30 min</b>	<b>45 min</b>	<b>1 h</b>	<b>1,5 h</b>	<b>2 h</b>	<b>3 h</b>	<b>5 h</b>	<b>8 h</b>	<b>10 h</b>	<b>20 h</b>
	6V 3 OPzS 150	116.4	92.7	78.8	61.5	51.2	39.3	27.4	19.6	16.5	9.3
	6V 4 OPzS 200	151.3	120.4	102.3	79.7	66.2	50.6	35.2	24.9	21.2	12.0
	6V 5 OPzS 250	185.9	149.0	127.3	99.6	82.7	63.2	44.3	31.1	26.6	15.0
	6V 6 OPzS 300	221.2	176.7	150.7	117.6	98.5	74.7	52.3	36.9	31.4	17.8
	12V 1 OPzS 50	40.3	32.1	27.3	21.3	17.8	13.7	9.6	6.8	5.8	3.3
	12V 2 OPzS 100	77.6	61.2	51.7	40.0	33.2	25.3	17.6	12.5	10.6	6.0
	12V 3 OPzS 150	114.1	90.4	76.7	59.6	49.5	37.9	26.4	18.7	15.9	9.0
	<b>2V cells</b>	<b>30 min</b>	<b>45 min</b>	<b>1 h</b>	<b>1,5 h</b>	<b>2 h</b>	<b>3 h</b>	<b>5 h</b>	<b>8 h</b>	<b>10 h</b>	<b>20 h</b>
	2V 2 OPzS 100	80.6	64.6	55.2	43.3	36.2	27.8	19.5	13.8	11.8	6.6
	2V 3 OPzS 150	120.1	96.3	82.4	64.7	54.0	41.5	29.1	20.6	17.6	9.9
	2V 4 OPzS 200	154.6	123.7	105.6	82.6	68.8	52.7	36.8	26.3	22.1	12.5
	2V 5 OPzS 250	193.5	155.1	132.7	103.9	86.2	65.8	46.1	32.3	27.7	15.6
	2V 6 OPzS 300	231.8	185.6	158.5	123.8	103.8	78.9	55.3	38.7	33.3	18.8
<b>Type</b>	2V 5 OPzS 350	238.2	202.2	180.1	146.1	123.1	95.1	66.5	46.8	39.7	22.0
	2V 6 OPzS 420	285.8	242.5	215.8	174.9	147.9	114.1	79.8	56.2	47.5	26.4
	2V 7 OPzS 490	333.3	282.7	251.5	204.5	172.7	132.9	93.1	65.5	55.4	30.9
	2V 5 OPzS 500	337.5	290.0	260.3	214.7	182.8	142.1	100.2	70.9	60.2	33.6
	2V 6 OPzS 600	380.7	332.4	301.9	248.1	210.4	163.7	113.3	78.4	67.4	37.2
	2V 7 OPzS 700	445.0	388.7	353.1	290.3	245.7	194.5	139.7	97.6	83.2	45.9
	2V 8 OPzS 800	506.8	442.6	402.1	330.4	280.8	219.1	151.0	103.7	89.8	49.6
	2V 9 OPzS 900	571.7	499.2	453.4	372.6	316.0	248.9	177.3	124.0	105.2	58.2
	2V 10 OPzS 1000	634.4	554.2	503.5	413.9	351.4	273.8	188.9	129.7	112.6	62.0
	2V 12 OPzS 1200	759.3	663.4	602.8	495.6	420.4	328.0	226.4	156.3	134.4	74.3
	2V 11 OPzS 1400	794.0	702.3	643.7	546.5	475.5	380.5	274.8	196.4	164.2	92.9
	2V 12 OPzS 1500	862.0	763.1	699.8	594.1	516.5	410.2	290.5	208.1	173.9	98.2
	2V 14 OPzS 1700	1005.4	889.5	815.5	692.9	602.5	483.9	350.8	251.0	210.1	119.1
	2V 15 OPzS 1875	1078.6	954.6	875.4	743.7	647.1	516.6	370.6	265.5	222.5	125.4
	2V 16 OPzS 2000	1152.7	1019.6	934.6	794.4	689.7	547.3	387.8	277.5	231.7	131.4
	2V 18 OPzS 2250	1290.0	1141.4	1046.4	891.0	774.2	620.7	448.5	320.8	267.3	151.5
2V 20 OPzS 2500	1438.8	1273.7	1168.1	993.4	863.1	687.9	486.0	347.9	291.1	164.7	
2V 24 OPzS 3000	1725.4	1526.6	1399.7	1191.1	1032.3	822.3	582.6	425.8	348.3	197.3	

Design and/or specifications are subject to change without prior notice. For clarifications and updated information, please contact your local SUNLIGHT sales representative.

# Discharge Table in Amperes

End voltage 1.70 V/per cell

	<b>Monoblocks</b>	<b>30 min</b>	<b>45 min</b>	<b>1 h</b>	<b>1,5 h</b>	<b>2 h</b>	<b>3 h</b>	<b>5 h</b>	<b>8 h</b>	<b>10 h</b>	<b>20 h</b>
	6V 3 OPzS 150	126.8	98.9	82.9	64.1	53.0	40.5	28.1	19.6	16.8	9.5
	6V 4 OPzS 200	165.2	128.7	107.8	83.2	68.6	52.2	36.1	25.3	21.6	12.2
	6V 5 OPzS 250	203.9	160.1	134.8	103.5	85.7	65.4	45.3	31.6	27.1	15.3
	6V 6 OPzS 300	243.0	190.4	160.1	123.1	101.3	77.4	53.6	37.4	32.0	18.1
	12V 1 OPzS 50	43.8	34.2	28.7	22.2	18.4	14.1	9.8	6.9	5.9	3.4
	12V 2 OPzS 100	84.0	65.0	54.1	41.6	34.3	26.1	18.0	12.6	10.8	6.1
	12V 3 OPzS 150	124.0	96.4	80.6	62.1	51.3	39.1	27.0	19.0	16.2	9.1
	<b>2V cells</b>	<b>30 min</b>	<b>45 min</b>	<b>1 h</b>	<b>1,5 h</b>	<b>2 h</b>	<b>3 h</b>	<b>5 h</b>	<b>8 h</b>	<b>10 h</b>	<b>20 h</b>
	2V 2 OPzS 100	88.2	69.2	58.3	45.2	37.5	28.7	20.0	14.0	12.0	6.8
	2V 3 OPzS 150	131.6	103.3	87.0	67.6	56.0	42.9	29.8	20.9	17.9	10.1
	2V 4 OPzS 200	169.4	132.7	111.6	86.4	71.4	54.4	37.7	26.3	22.5	12.7
	2V 5 OPzS 250	212.3	166.8	140.6	107.9	89.4	68.2	47.1	32.9	28.2	15.9
	2V 6 OPzS 300	254.5	199.9	168.3	129.7	106.8	81.7	56.6	39.5	33.9	19.1
	2V 5 OPzS 350	262.4	217.4	190.3	151.2	126.3	97.3	67.3	47.5	40.2	22.3
	2V 6 OPzS 420	315.0	260.8	228.1	181.1	152.1	116.2	80.8	56.9	48.2	26.8
	2V 7 OPzS 490	366.6	303.8	265.9	211.8	177.0	136.0	94.2	66.4	56.3	31.3
	2V 5 OPzS 500	373.2	313.8	277.5	223.8	188.2	145.8	101.7	72.2	61.1	34.2
	2V 6 OPzS 600	425.8	363.7	325.2	263.1	219.5	168.7	116.2	81.2	69.7	37.8
	2V 7 OPzS 700	498.1	425.4	380.4	307.4	256.7	200.6	143.6	99.3	86.1	46.8
	2V 8 OPzS 800	567.9	485.5	434.3	350.5	292.9	225.2	155.0	107.5	92.9	50.5
	2V 9 OPzS 900	640.0	546.7	488.8	395.6	330.0	256.0	182.2	126.0	109.0	59.3
	2V 10 OPzS 1000	710.6	607.1	543.0	439.0	366.6	281.9	193.8	134.4	116.4	63.1
	2V 12 OPzS 1200	850.4	727.0	650.4	525.8	439.5	337.2	232.3	161.1	139.1	75.6
	2V 11 OPzS 1400	924.4	795.2	714.7	592.5	506.5	397.4	283.7	201.4	168.1	95.1
	2V 12 OPzS 1500	1001.2	863.0	776.7	644.2	551.4	429.1	300.3	213.1	177.9	100.5
	2V 14 OPzS 1700	1168.8	1007.1	906.0	750.9	642.3	505.7	362.6	257.8	215.0	122.0
	2V 15 OPzS 1875	1259.4	1082.5	972.2	805.8	690.0	540.4	383.4	272.4	227.5	128.3
	2V 16 OPzS 2000	1340.9	1152.2	1034.7	859.4	735.4	571.2	399.7	284.5	237.5	134.3
	2V 18 OPzS 2250	1504.8	1291.2	1158.3	963.3	825.7	647.5	463.3	329.7	274.2	154.4
	2V 20 OPzS 2500	1676.8	1440.6	1293.4	1074.0	921.1	716.2	501.0	356.8	297.9	168.7
	2V 24 OPzS 3000	2012.3	1728.1	1551.1	1291.5	1102.3	858.4	600.6	426.7	357.1	201.2

Design and/or specifications are subject to change without prior notice. For clarifications and updated information, please contact your local SUNLIGHT sales representative.

# Discharge Table in Amperes

End voltage 1.65 V/per cell

	<b>Monoblocks</b>	<b>30 min</b>	<b>45 min</b>	<b>1 h</b>	<b>1,5 h</b>	<b>2 h</b>	<b>3 h</b>	<b>5 h</b>	<b>8 h</b>	<b>10 h</b>	<b>20 h</b>
	6V 3 OPzS 150	133.5	102.7	85.3	65.5	54.1	41.1	28.4	19.9	17.0	9.6
	6V 4 OPzS 200	174.2	133.8	111.0	85.0	70.0	53.1	36.6	25.6	21.8	12.3
	6V 5 OPzS 250	215.8	166.9	139.1	105.9	87.4	66.5	45.9	31.9	27.4	15.5
	6V 6 OPzS 300	257.4	198.5	165.0	126.0	103.3	78.7	54.3	37.8	32.4	18.3
	12V 1 OPzS 50	45.9	35.4	29.4	22.7	18.8	14.3	10.0	7.0	6.0	3.4
	12V 2 OPzS 100	87.9	67.2	55.6	42.5	35.0	26.5	18.3	12.8	10.9	6.1
	12V 3 OPzS 150	130.2	99.9	82.8	63.4	52.3	39.7	27.4	19.2	16.3	9.2
	<b>2V cells</b>	<b>30 min</b>	<b>45 min</b>	<b>1 h</b>	<b>1,5 h</b>	<b>2 h</b>	<b>3 h</b>	<b>5 h</b>	<b>8 h</b>	<b>10 h</b>	<b>20 h</b>
	2V 2 OPzS 100	93.2	72.1	60.1	46.3	38.3	29.2	20.2	14.2	12.1	6.9
	2V 3 OPzS 150	139.1	107.6	89.7	69.1	57.1	43.6	30.2	21.1	18.0	10.2
	2V 4 OPzS 200	179.4	138.4	115.1	88.3	72.8	55.3	38.2	26.7	22.8	12.8
	2V 5 OPzS 250	224.7	173.9	144.9	110.4	91.2	69.3	47.8	33.3	28.5	16.0
	2V 6 OPzS 300	270.0	208.6	173.7	132.7	109.0	83.1	57.4	40.0	34.2	19.3
<b>Type</b>	2V 5 OPzS 350	282.6	229.5	197.9	155.5	129.2	99.2	68.3	48.1	40.7	22.6
	2V 6 OPzS 420	339.9	275.5	237.4	186.3	155.6	118.4	82.0	57.7	48.8	27.1
	2V 7 OPzS 490	396.3	321.4	277.0	218.1	181.1	138.6	95.6	67.4	57.0	31.6
	2V 5 OPzS 500	406.6	334.3	290.9	231.1	193.0	148.8	103.4	73.1	61.8	34.7
	2V 6 OPzS 600	466.1	389.0	342.2	272.3	225.5	172.2	118.0	82.3	70.6	38.2
	2V 7 OPzS 700	544.4	454.6	400.1	317.9	263.6	204.7	146.0	100.7	87.1	47.4
	2V 8 OPzS 800	622.5	520.0	457.6	362.9	301.0	229.9	157.4	109.0	94.1	51.0
	2V 9 OPzS 900	700.0	584.4	514.2	409.3	339.0	261.4	185.2	127.8	110.4	59.8
	2V 10 OPzS 1000	779.2	650.7	572.5	454.8	376.8	287.9	197.0	136.4	117.9	63.7
	2V 12 OPzS 1200	934.6	780.5	686.8	545.3	452.1	344.4	236.0	163.5	140.9	76.4
	2V 11 OPzS 1400	1026.9	866.7	768.4	621.2	524.6	407.2	289.1	204.3	170.3	96.5
	2V 12 OPzS 1500	1115.6	944.4	839.0	677.8	572.4	440.1	306.1	216.3	180.2	101.5
	2V 14 OPzS 1700	1299.8	1099.4	976.3	788.8	666.2	518.5	369.5	261.6	217.7	123.7
	2V 15 OPzS 1875	1402.2	1183.1	1048.7	847.3	715.9	554.2	390.9	276.5	230.4	130.2
	2V 16 OPzS 2000	1490.5	1256.4	1112.9	901.1	761.8	585.5	407.3	288.8	240.6	135.6
	2V 18 OPzS 2250	1672.7	1408.0	1245.9	1010.0	855.3	663.7	472.2	334.6	277.8	156.0
2V 20 OPzS 2500	1867.2	1575.3	1396.3	1130.2	956.2	734.6	510.7	362.0	301.8	171.1	
2V 24 OPzS 3000	2242.6	1892.5	1677.8	1361.1	1145.3	880.9	611.8	433.1	361.9	204.2	

Design and/or specifications are subject to change without prior notice. For clarifications and updated information, please contact your local SUNLIGHT sales representative.

# Discharge Table in Amperes

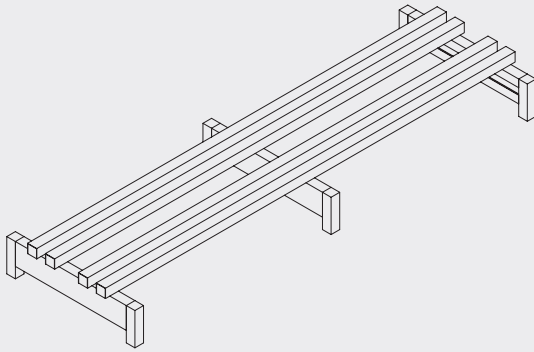
End voltage 1.60 V/per cell

	<b>Monoblocks</b>	<b>30 min</b>	<b>45 min</b>	<b>1 h</b>	<b>1,5 h</b>	<b>2 h</b>	<b>3 h</b>	<b>5 h</b>	<b>8 h</b>	<b>10 h</b>	<b>20 h</b>
	6V 3 OPzS 150	137.5	105.1	86.9	66.5	54.8	41.6	28.7	20.1	17.2	9.6
	6V 4 OPzS 200	179.8	137.1	113.1	86.3	70.9	53.7	37.0	25.8	22.0	12.4
	6V 5 OPzS 250	223.3	171.2	141.8	107.5	88.7	67.3	46.4	32.2	27.6	15.6
	6V 6 OPzS 300	266.8	203.9	168.5	128.0	104.8	79.6	54.9	38.1	32.7	18.4
	12V 1 OPzS 50	47.3	36.2	30.0	23.0	19.0	14.5	10.1	7.1	6.0	3.4
	12V 2 OPzS 100	90.4	68.7	56.6	43.1	35.4	26.8	18.5	12.9	11.0	6.2
	12V 3 OPzS 150	134.2	102.2	84.3	64.4	53.0	40.1	27.7	19.3	16.5	9.3
	<b>2V cells</b>	<b>30 min</b>	<b>45 min</b>	<b>1 h</b>	<b>1,5 h</b>	<b>2 h</b>	<b>3 h</b>	<b>5 h</b>	<b>8 h</b>	<b>10 h</b>	<b>20 h</b>
	2V 2 OPzS 100	96.4	73.9	61.2	47.0	38.8	29.5	20.4	14.3	12.2	6.9
	2V 3 OPzS 150	144.0	110.4	91.5	70.2	57.9	44.1	30.5	21.3	18.2	10.3
	2V 4 OPzS 200	185.6	141.9	117.3	89.7	73.8	56.0	38.6	26.9	23.0	12.9
	2V 5 OPzS 250	232.7	178.4	147.7	112.1	92.4	70.1	48.3	33.6	28.7	16.2
	2V 6 OPzS 300	279.5	214.0	177.1	134.8	110.5	84.0	58.0	40.3	34.5	19.4
	2V 5 OPzS 350	296.2	237.3	202.7	158.4	131.3	100.5	69.1	48.6	41.0	22.7
	2V 6 OPzS 420	356.8	285.2	243.3	189.8	158.1	120.0	82.9	58.3	49.3	27.3
	2V 7 OPzS 490	416.8	333.0	284.0	222.1	184.0	140.5	96.7	68.0	57.5	31.8
	2V 5 OPzS 500	430.9	348.0	299.0	235.8	196.3	150.8	104.5	73.8	62.3	35.0
	2V 6 OPzS 600	496.9	406.7	352.8	278.1	229.5	174.6	119.5	83.2	71.2	38.4
	2V 7 OPzS 700	579.6	474.6	411.9	324.6	268.3	207.6	147.7	101.7	87.9	47.9
	2V 8 OPzS 800	664.6	544.1	472.1	370.8	306.4	233.2	159.3	110.1	95.0	51.4
	2V 9 OPzS 900	745.8	610.5	529.6	418.0	345.0	265.0	187.4	129.1	111.4	60.3
	2V 10 OPzS 1000	832.5	681.1	590.8	464.7	383.7	292.0	199.4	137.8	119.0	64.2
	2V 12 OPzS 1200	1001.1	818.7	709.8	557.3	460.5	349.3	238.7	165.2	142.3	77.0
	2V 11 OPzS 1400	1116.3	920.8	803.3	638.8	536.0	413.9	292.7	206.4	171.8	97.5
	2V 12 OPzS 1500	1216.9	1007.0	880.4	698.1	585.2	447.4	310.1	218.7	182.0	102.4
	2V 14 OPzS 1700	1414.9	1169.9	1022.2	811.6	681.0	527.0	374.1	264.3	219.7	125.0
	2V 15 OPzS 1875	1527.9	1260.5	1099.7	872.1	732.0	563.5	395.9	279.4	232.5	131.6
	2V 16 OPzS 2000	1621.3	1335.6	1163.9	926.8	778.3	595.0	412.5	291.8	242.9	137.0
	2V 18 OPzS 2250	1819.5	1496.7	1303.0	1038.8	873.8	674.5	478.2	338.2	280.5	157.6
	2V 20 OPzS 2500	2035.3	1679.0	1464.7	1163.6	977.8	746.9	517.1	365.8	304.5	172.9
	2V 24 OPzS 3000	2448.3	2019.2	1761.1	1402.2	1171.3	895.7	619.7	437.9	365.2	206.4

Design and/or specifications are subject to change without prior notice. For clarifications and updated information, please contact your local SUNLIGHT sales representative.

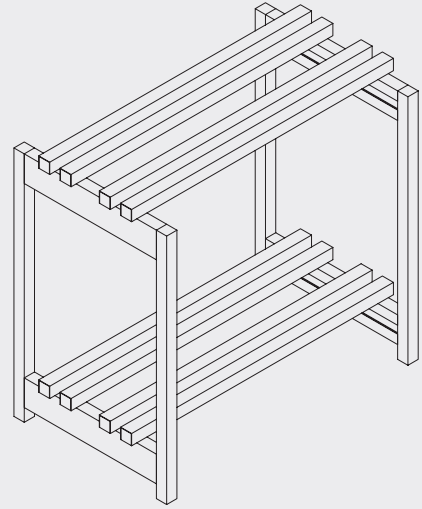
# Indicative Installation Racks

Rack 1 floor - 2 rows



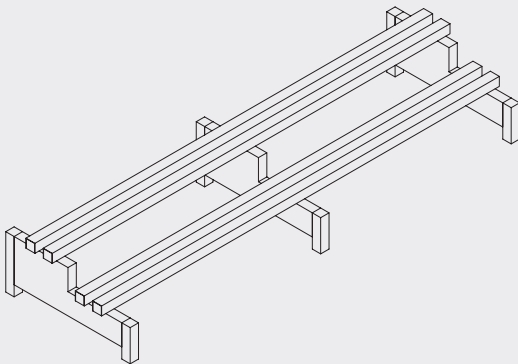
1

Rack 2 floors - 2 rows



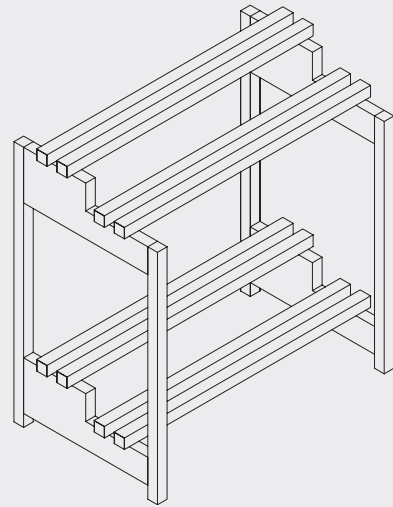
1A

Rack 1 floor - 2 steps



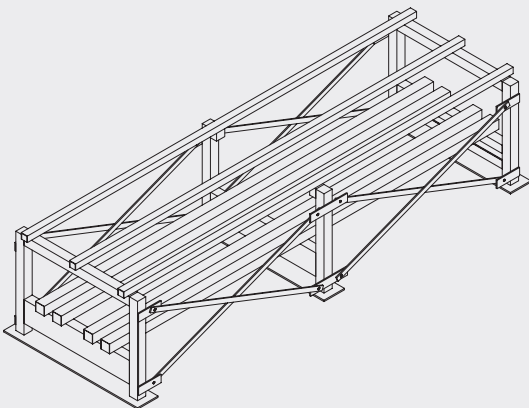
2

Rack 2 floors - 2 steps



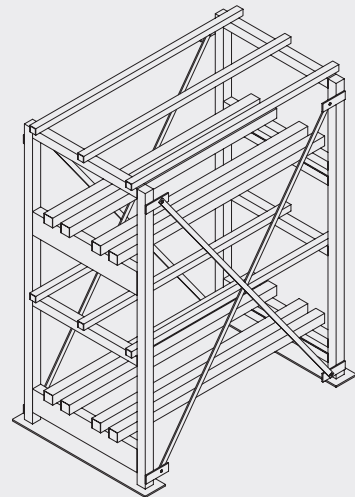
2A

Rack 1 floor - 2 rows (antiseismic)



3

Rack 2 floors - 2 rows (antiseismic)



3A

Design and/or specifications are subject to change without prior notice. For clarifications and updated information, please contact your local SUNLIGHT sales representative.



[www.sunlight.gr](http://www.sunlight.gr)

## SUNLIGHT MANUFACTURING PLANT

The SUNLIGHT Manufacturing Plant is headquartered in Northern Greece. Since 1991, there has been a systematic investment in the development of one of the most modern industrial units of Europe in accordance with the strictest international standards.

In a total area of 142,000 m<sup>2</sup>, with indoor areas of more than 55,000 m<sup>2</sup>, the SUNLIGHT Manufacturing Plant has six high-end production units that are recognized for their high specialization.

Aiming at the production of high added value and quality products, the production and assembly lines of the SUNLIGHT Industrial Unit are used for:

- Cylindrical Zinc-Chloride cells such as R6HD (AA), R14HD (C) and R20HD (D) sizes.
- Advanced Lead-Acid batteries for submarine propulsion.
- Silver-Zinc batteries for combat and exercise torpedoes.
- Stationary and traction Lead-Acid batteries (vented type).
- Sealed Lead-Acid Batteries (VRLA).
- Photovoltaic Power Supply Systems.
- Battery packs for military and commercial applications.
- Assembly of Power Supply Systems for telecommunication applications.
- Assembly of Uninterruptible Power Systems (UPS).
- Assembly of Industrial Rectifiers.
- Assembly of Generating Sets ranging from 5 to 3,000 KVA.

## MANAGEMENT SYSTEMS for QUALITY, ENVIRONMENTAL CONTROL, OCCUPATIONAL HEALTH & SAFETY

The SUNLIGHT Manufacturing Plant has established and maintains management systems for Quality (ISO 9001), Environmental control (ISO 14001) and Occupational Health and Safety (OHSAS 18001).

This document was printed with vegetable inks on unchlorinated, non wood recycled paper.



- **SYSTEMS SUNLIGHT S.A. Headquarters**  
23rd Km. N.R. Athens - Lamia, 145 65 Ag. Stefanos - Attica, Greece  
Tel.: +30 210 62 45 400, Fax: +30 210 62 45 409
- **SYSTEMS SUNLIGHT S.A. Manufacturing Plant**  
Neo Olvio 67 200 Xanthi, Greece  
Tel.: +30 25410 48100, Fax: +30 25410 95446
- **SUNLIGHT INDUSTRIAL S.R.L. (Romania)**  
2-4, Brânduselor Street, Vitan Business Center, 6th Floor,  
District 3, 031256 Bucharest - Romania
- **SUNLIGHT INDUSTRIAL EOOD (Bulgaria)**  
Business Park, Sofia Str., Bldg.11A - Floor 4 Bulgaria  
Tel.: +359 2 8079 190, Fax: +359 2 8079 188
- **SUNLIGHT POLSKA Sp.oz.o**  
Szyszkowa 34 str., 02-285 Warsaw, Poland  
Tel.: +48 22 5758227, Fax: +48 22 5758258
- **SUNLIGHT UKRAINE S.R.L.**  
18/14 Hvoiki Str., block 25, office 401, Kiev- 04080 - Ukraine  
Tel.: +380 44 463 5735, Fax: +380 44 463 5735

- **SUNLIGHT INDUSTRIAL doo (Serbia)**  
Brace Krsmanovica 11 - 11000 Belgrade - Serbia  
Tel.: +381 11 3282 232, Fax: +381 11 2187 228
- **SUNLIGHT SYSTEMS FRANCE S.R.L.**  
Hyde Park - Le Westminster, 12 Allée Rosa Luxembourg  
95610 Eragny Sur Oise, France  
Tel.: +33 1 344 01634, Fax: +33 1 344 01639
- **SUNLIGHT GERMANY**  
Elbestrasse 10 (TechnoMarl), D-45768 Marl, Germany,  
Tel.: +49 2365 91 51 75, Fax: +49 2365 20 59 10
- **SUNLIGHT SPAIN**  
Avenida Del Mediterraneo 9-2º D 28007 Madrid - Spain  
Tel.: +34 91 43 43 890, Fax: +34 91 43 44 070
- **SUNLIGHT MIDDLE EAST - AFRICA**  
15 El - Hassan Str. Dokki Giza, Egypt  
Tel.: +20 2 33 800 59, Fax: +20 2 33 652 93
- **CELECTRIC B.V.**  
Nobelstraat 34, NL-3846 CG Harderwijk  
Tel.: +31 341 467700, Fax: +31 341467710

Data in this document are subject to change without notice and become contractual only after written confirmation.



SAP Code 0127959 / OCTOBER 2008

comrade design