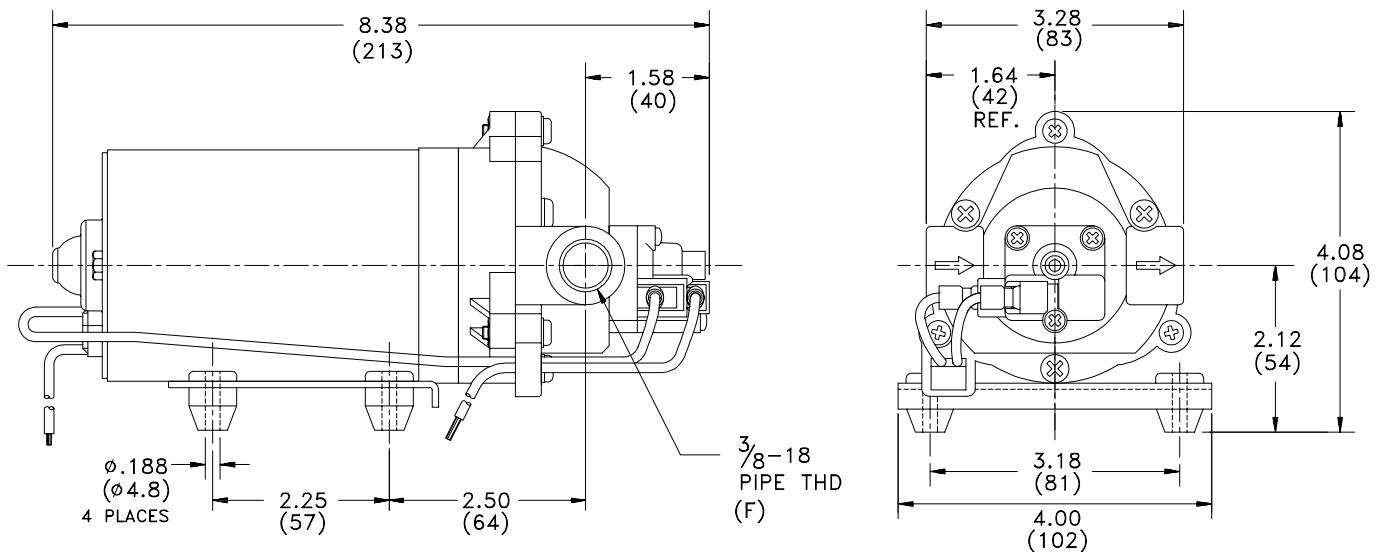


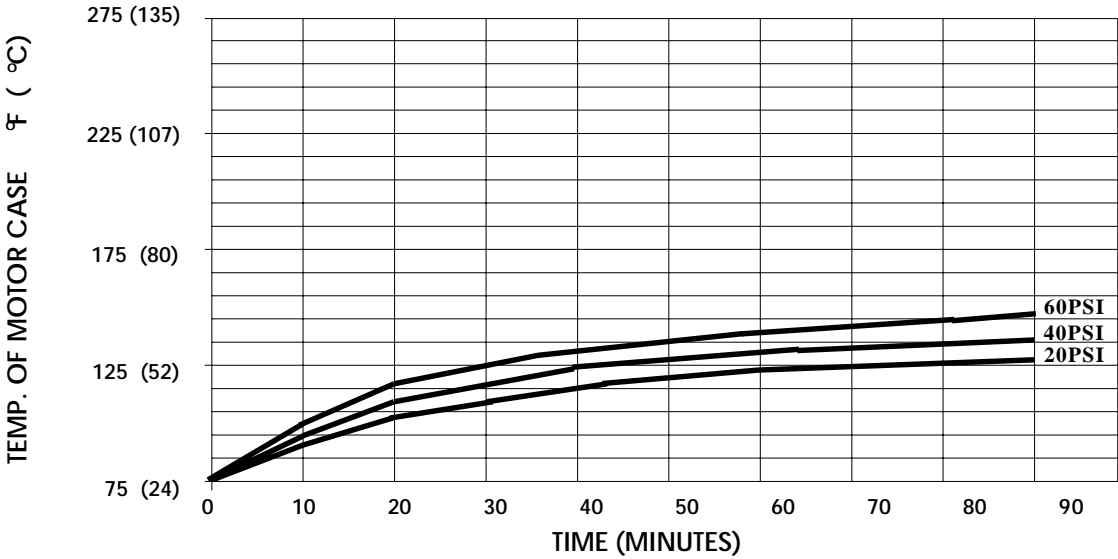
SPECIFICATIONS:

- MODEL NUMBER:** 8000-343-236
- PUMP DESIGN:** Positive Displacement 3 Chamber Diaphragm Pump
- CHECK VALVE:** (2-Way Op.) Prevents Reverse Flow & 6 Ft. Head Forward Flow
- CAM:** 2.5 Degree
- MOTOR:** Permanent Magnet, P/N 11-111-00
- VOLTAGE:** 12 VDC Nominal
- PRESSURE SWITCH:** Adjustable Shut-Off (Range 40-60 PSI)
 Factory Set @ 60 PSI, Turn On 45 PSI ± 5 PSI
- LIQUID TEMPERATURE:** 170 Degrees Fahrenheit (77 Degrees Centigrade) Max.
- PRIME:** Self-Priming Up To 11 Ft. Vertical,
 Max. Inlet Pressure 30 PSI (2.1 Bar)
- PORTS:** 3/8"-18 NPT Female
- MATERIAL OF CONSTRUCTION:**
 - PLASTICS-** Polypropylene
 - VALVES-** Viton
 - DIAPHRAGM-** Viton
 - FASTENERS-** Zinc Plated Steel
- NET WEIGHT:** 4.1 Lbs (1.9 Kg)
- DUTY CYCLE:** Continuous (See Temperature Rise Chart)
- TYPICAL APPLICATIONS:** Agricultural Spraying

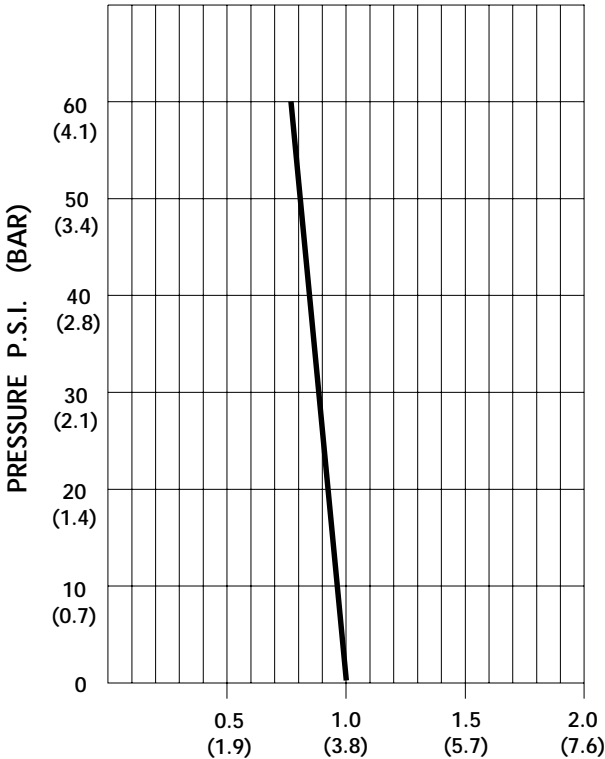
DIMENSIONS:



TEMPERATURE RISE



TYPICAL PERFORMANCE



PRESSURE (PSI)	FLOW (GPM/LIT)	RPM MIN/MAX	CURRENT (AMPS)	VOLTAGE (VOLTS)
OPEN	1.01/3.8	2400/2470	2.8	12 VDC
10	0.96/3.6	2380/2410	3.3	"
20	0.93/3.5	2300/2370	3.9	"
30	0.89/3.4	2250/2330	4.4	"
40	0.84/3.2	2200/2290	4.9	"
50	0.80/3.0	2165/2260	5.3	"
60	0.76/2.9	2125/2230	5.8	"

*-SPECIFICATIONS SUBJECT TO CHANGE WITHOUT NOTICE.
 -ALL DATA BASED ON TESTING WITH WATER AT AMBIENT TEMPERATURE.*