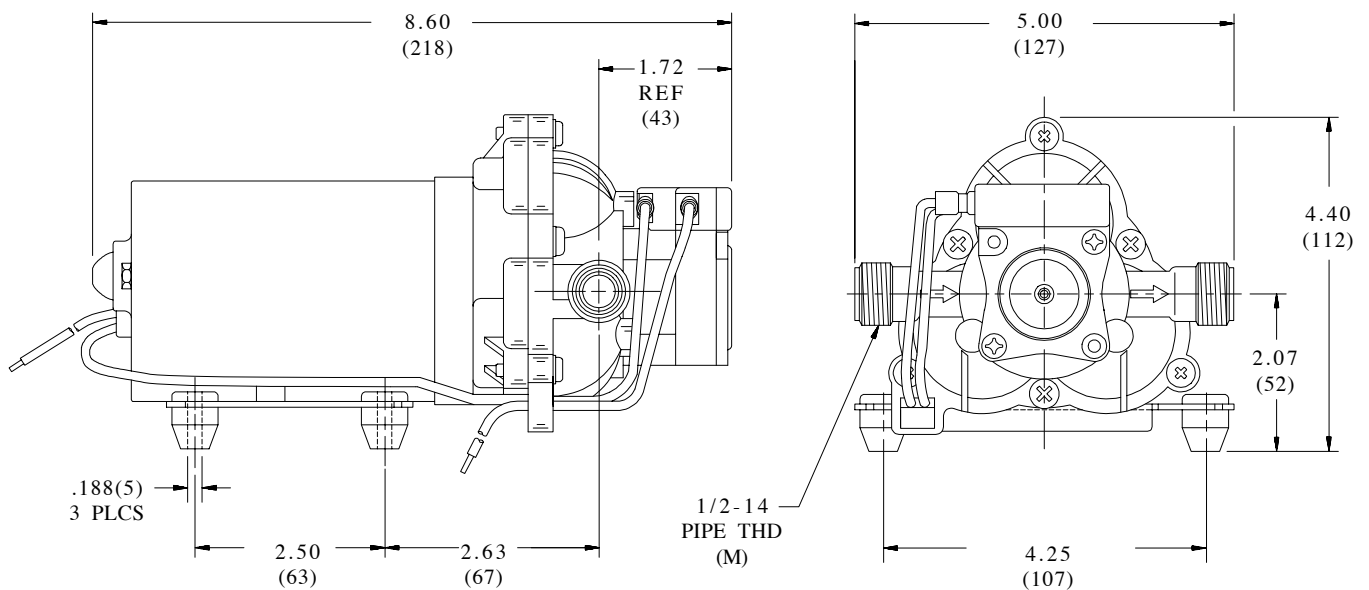


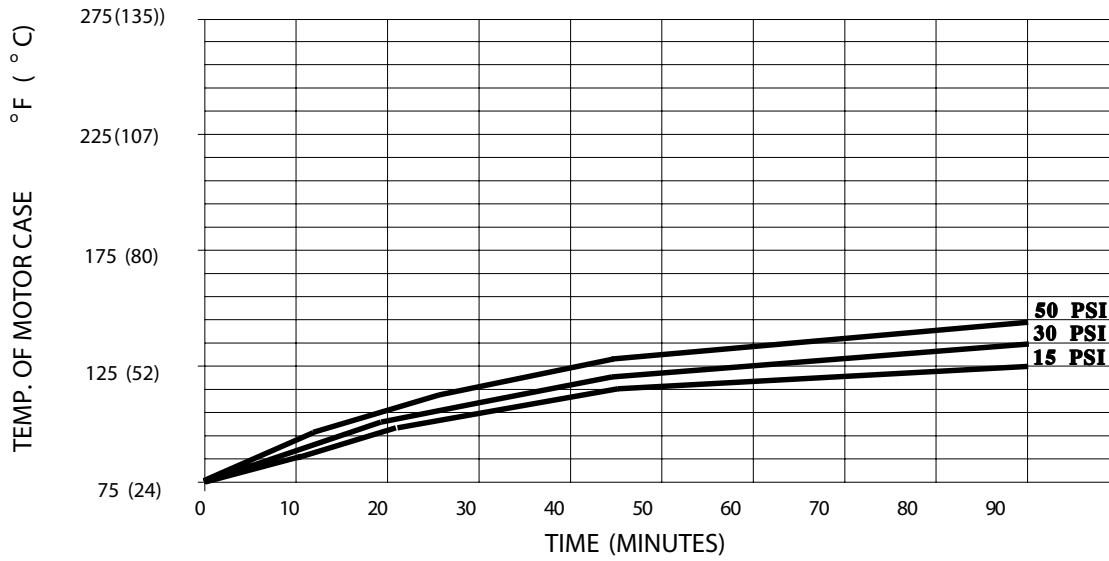
SPECIFICATIONS:

MODEL NUMBER: 2088-474-144
PUMP DESIGN: Positive Displacement 3 Chamber Diaphragm Pump
CHECK VALVE: (1-Way Operation) Prevents Reverse Flow
CAM: 3.0 Degree
MOTOR: Permanent Magnet, P/N 11-187-00
VOLTAGE: 24 VDC Nominal
PRESSURE SWITCH: Factory Set @ 45 PSI Shut-Off, Turn On 25 ± 5 PSI
Adjustable From 30 to 50 PSI
LIQUID TEMPERATURE: 130 Degrees Fahrenheit (54 Degrees Centigrade) Max.
PRIME: Self-Priming Up To 10 Ft. Vertical,
Max. Inlet Pressure 30 PSI (2.1 Bar)
PORTS: 1/2" - 14 Male Parallel Thread
MATERIAL OF CONSTRUCTION:
PLASTICS- Polypropylene
VALVES- Santoprene
DIAPHRAGM- Santoprene
FASTENERS- Zinc Plated Steel
NET WEIGHT: 4.9 Lbs (2.22 Kg)
DUTY CYCLE: Intermittent (See Temp. Rise Chart)
TYPICAL APPLICATIONS: Industrial Transfer

DIMENSIONS:

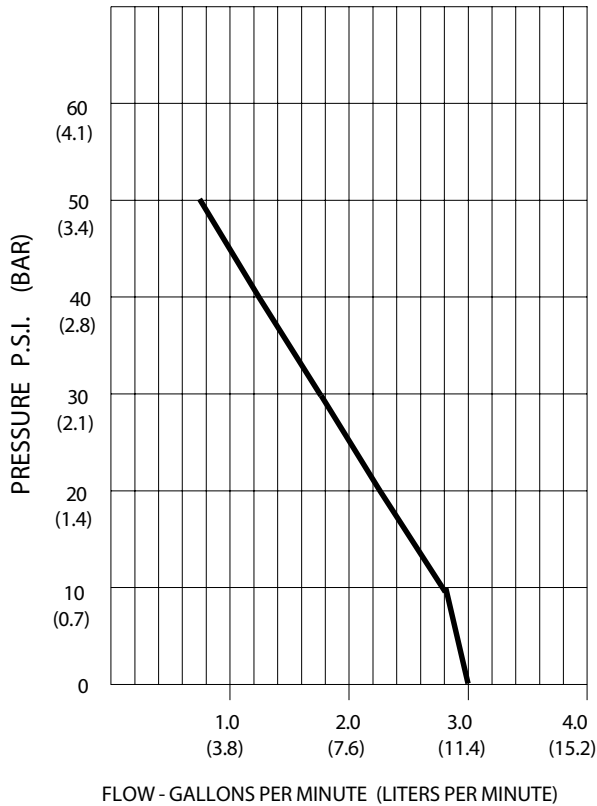


TEMP ERA TURE RISE



THIS GRAPH IS FOR USE AS A DESIGN GUIDE. IT IS BASED ON RUNNING CONTINUOUSLY WITH AN AMBIENT TEMPERATURE OF 75 ° F IN STILL AIR.

TYPICAL PERFORMANCE



PRESSURE (PSI)	FLOW (GPM/LIT)	RPM MIN/MAX	CURRENT (AMPS)	VOLTAGE (VOLTS)
OPEN	3.00/11.3	2218/2260	2.34	24VDC
10	2.80/10.6	2210/2250	2.41	" "
20	2.25/8.5	2150/2195	2.63	" "
30	1.75/6.6	2100/2140	2.73	" "
40	1.25/4.7	2065/2100	2.71	" "
50	0.75/2.8	2040/2070	2.45	" "

-SPECIFICATIONS SUBJECT TO CHANGE WITHOUT NOTICE.
 -ALL DATA BASED ON TESTING WITH WATER.