

SunSaver Wiring for Pumping Applications

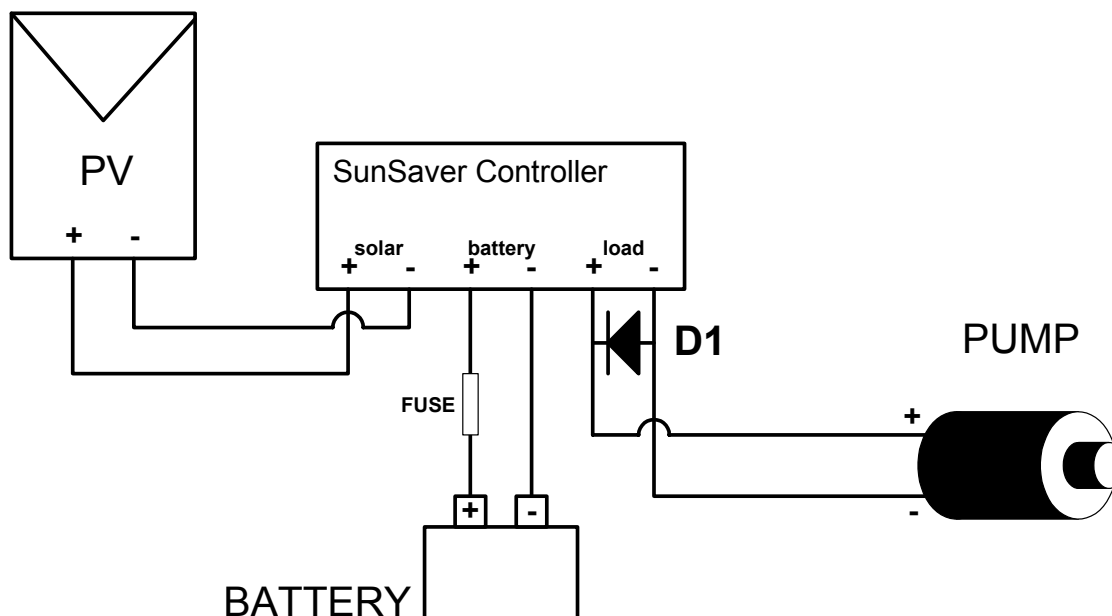


fig1. wiring diagram

- Prevents damage to the load MOSFETs due to the inductive energy stored by the pump motor during switching.
- D1 is a 5A normal recovery diode. A through-hole diode clamped directly at the terminals is easy to install.
- A fuse in the battery positive lead between the battery and the controller is required. If the battery is wired reversed polarity, the fuse will blow.
- Use additional fuses and disconnects as code and regulations require.
- Works for both 12V and 24V systems.