

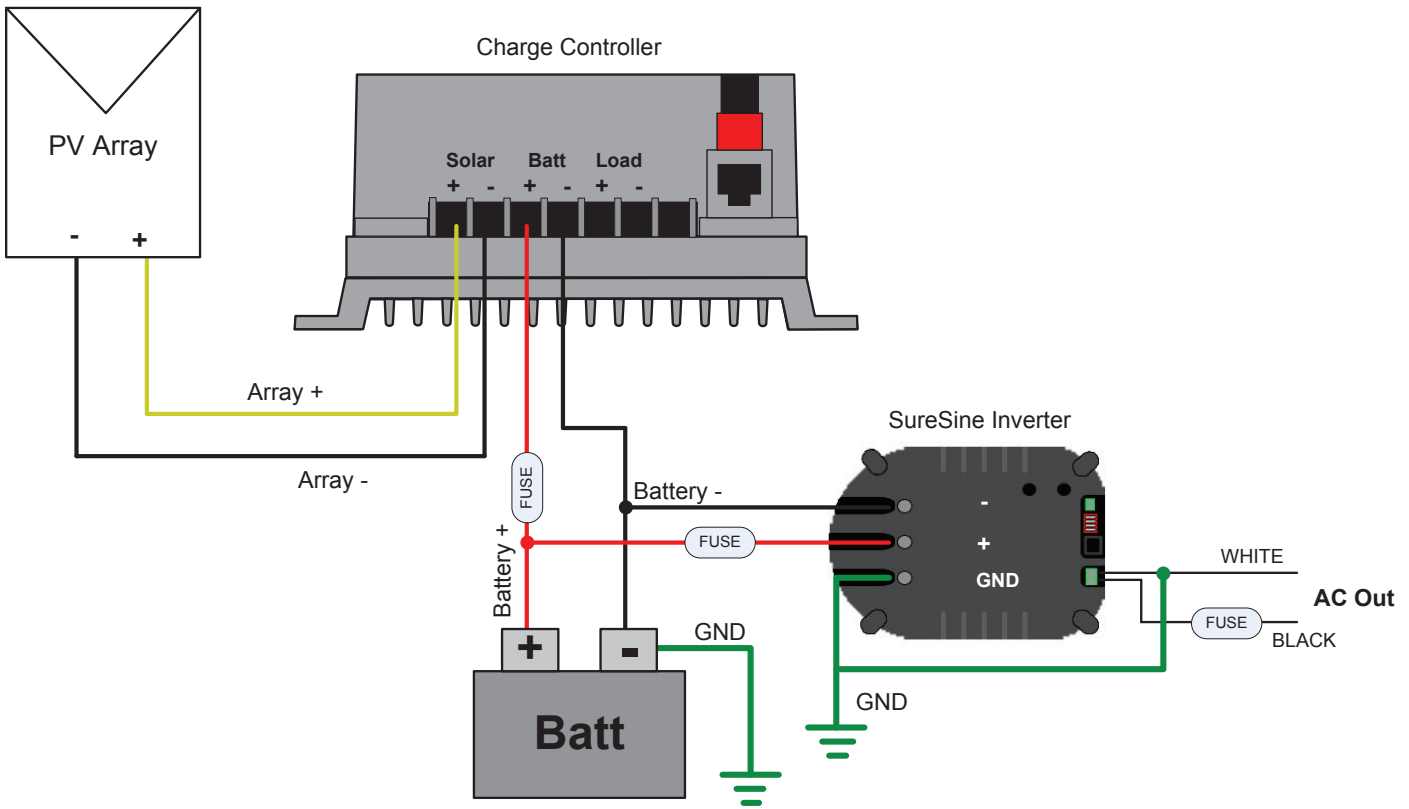
# DIAGRAM: Inverter Wiring

*Correct Inverter Wiring in a Battery-Based PV System*

v01

**Abstract:**

A diagram shows how to properly wire a charge controller and an inverter into the same battery-based PV system.



**IMPORTANT:** This is not intended to be a complete system diagram; fusing, disconnects, and grounding should comply with local electric codes.

## Notes:

- Inverters installed in battery-based PV systems should ALWAYS be wired directly to the battery bank or +/- system bus.
- NEVER wire an inverter to the Load terminal output of any Morningstar controller (doing so can damage the controller's Load circuitry).
- The Charge Controller shown above can be ANY Morningstar charge controller.
- The SureSine inverter shown above can be ANY model inverter (Morningstar or otherwise).
- For detailed installation information, please consult the respective product manuals.

© 2013 Morningstar Corporation. All rights reserved.