

Specification
of
Photovoltaic module

Type KC120 - 2

Jul.8.2002

Prepared by H. Ohsawa

Checked by H. Hirayama

Checked by K. Goto

Approved by Yamaguchi

Kyocera Corporation

Kyoto, Japan

Specification of photovoltaic module

1. Application

This specification is applicable for a photovoltaic module KC120-2.

2. Electrical specification

Maximum power	(Pmax)	:	1 2 0 W ± 5%
Test condition		:	Cell temperature 2 5 °C Irradiance AM1. 5, 1 kW/m ²

3. Nominal characteristics

Maximum power	(Pmax)	:	1 2 0 W
Short circuit current	(Isc)	:	7. 4 5 A
Open circuit voltage	(Voc)	:	2 1. 5 V
Maximum power current	(Ipmax)	:	7. 1 0 A
Maximum power voltage	(Vpmax)	:	1 6. 9 V
Maximum system voltage		:	7 5 0 V
Test condition		:	Cell temperature 2 5 °C Irradiance AM1. 5, 1 kW/m ²

4. Physical specification

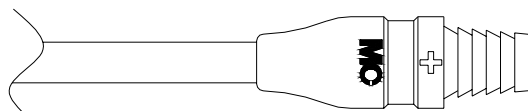
Drawing. No.	AC - 5 6 2 1 7 8 - 4
Dimension	1 4 2 5 × 6 5 2 × 5 6 mm
Mass	1 2. 2 kg

5. Output cable

The symbol of the waterproof connector distinguishes positive pole terminal from negative pole terminal.

①Positive pole terminal

Connector symbol : +



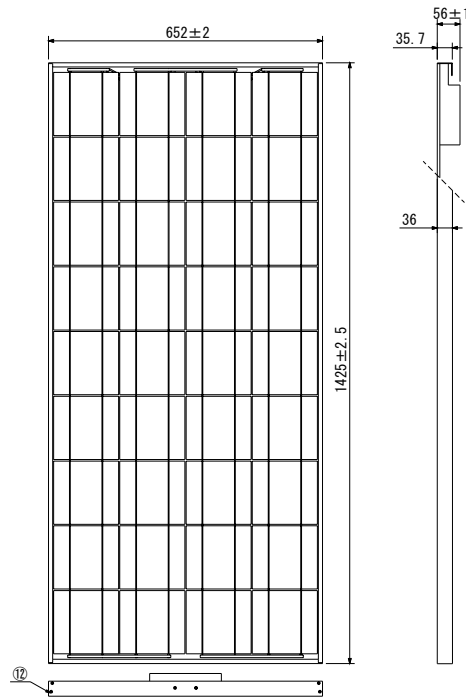
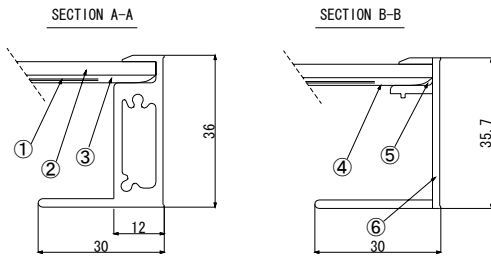
②Negative pole terminal

Connector symbol : -



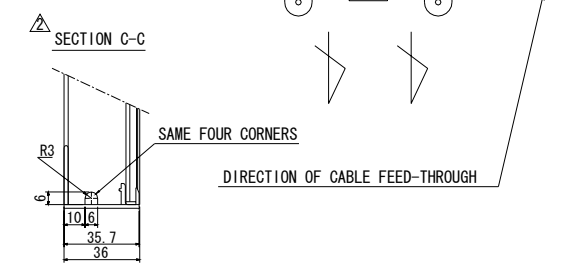
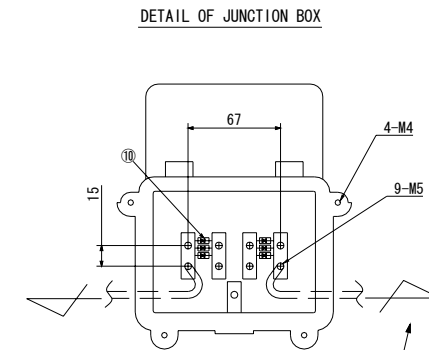
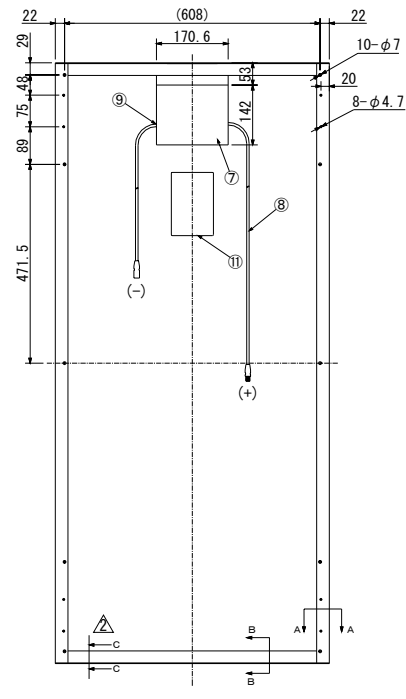
6. Attachment

Cable Clamp 2 pc



Unit: 100mm

No.	DESCRIPTION	QT.	MTL.	REMARKS	No.	DESCRIPTION	QT.	MTL.	REMARKS
①	SOLAR CELL	3 6	Si	PSC150	⑦	JUNCTION BOX	1 S.	PPE	
②	GLASS	1		LOW-IRON TEMPERED	⑧	OUTPUT CABLE	1 S.	△VCT	△(+)-0.7mm (+) 600mm △(-)-0.3mm (-) 400mm
③	POTTANT	1 S.	EVA		⑨	CAP CON	2 S.		
④	BACK SHEET	1	PVF/PET	WEATHER-RESISTANT	⑩	BY-PASS DIODE	2 S.		
⑤	BUTYL	1 S.			⑪	LABEL	1	PET	
⑥	FRAME	1 S.	Al		⑫	T. P. SCREW	1 0	SUS	



TOLERANCE LIST (mm)	
DIMENTION	TOLERANCE (±)
~ 6	0.3
6 ~ 30	0.5
30 ~ 120	0.8
120 ~ 315	1.2
315 ~ 1000	2.0
1000 ~	2.5

SCALE FREE	NAME SOLAR MODULE
TOLERANCE REFER TO TOLERANCE LIST	
DATE 2002. 7. 8	TYPE KC120-2
	DWG. NO. AC-562178-4

Revision list

No.	Date	Note	Approved	Checked	Prepared
	Mar.8. 2001	First wrote	<i>Higuma</i>	<i>Inoue</i>	<i>Kunimoto</i>
1	Aug.30.2001	Change drawing.	<i>Higuma</i>	<i>Inoue</i>	<i>Kunimoto</i>
2	Jan.22.2002	The drawing change. It is draining off hole addition on a long side frame. 6.ATTACHMENT addition	<i>Yanagida</i>	<i>Hirayama</i>	<i>Goto</i>
3	May.23.2002	Change of the Drawing No AC-562178-1 → AC-562178-2	<i>Yanagida</i>	<i>Hirayama</i> <i>Ijitsu</i>	<i>Goto</i>
4	Jul.8.2002	Change of the Drawing No. AC-562178-2 → AC-562178-3 Output cable length change. Erase Japanese in a drawing. Change of the Drawing No. AC-562178-3 → AC-562178-4 Change of unit of cable length.			